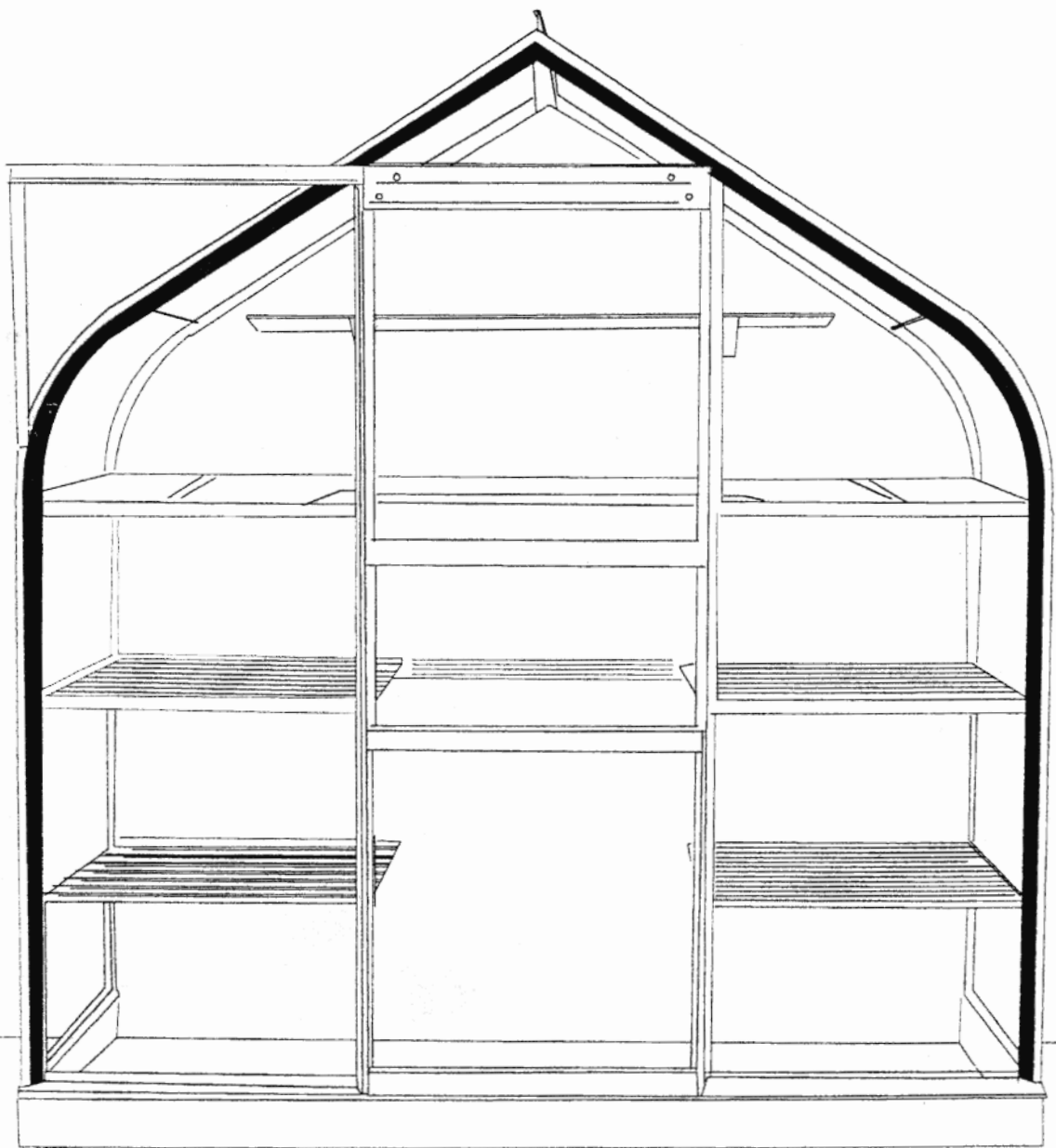


# SUPREME WALL GARDEN ASSEMBLY INSTRUCTIONS



19191-04

## SAFETY WARNING

1. **Always** wear protective glasses, shoes, gloves and headgear when handling glass – sharp edges can cause injury.
2. Broken glass is a safety hazard. Clean up immediately – dispose of with care.
3. Any difficulty in fitting glass, contact our customer service department for advice – **do not use force**.

Where an illustration number is in a box, i.e. **8b**, it is viewed from inside the greenhouse.

### 1. Preparation, Site Selection and Maintenance

**Site Selection – Important** Choose a sunny spot for your greenhouse, with as much protection from the wind as possible. In strong winds close all vents and doors. Observe all building regulations.

**Tools Required** Screwdrivers (normal and crosshead), 10mm AF spanner or wrench, power drill and bits. Suitable fasteners will also be required depending on your wall construction.

**Assembly – Important** Before starting assembly, check the parts against the parts list. Remove packs from box in order to identify parts.

It is important that the open packs do not get mixed. If anything is missing please contact our Customer Service Department using the form included at the back of these instructions.

**Maintenance** To keep your greenhouse clean, wash thoroughly with mild detergent solution. The glass may be cleaned with any cleaning solution which does not adversely affect the aluminium frame, acrylic panels, glazing gaskets and glazing clips. Ensure that the upper and lower door tracks are regularly cleaned to prevent an accumulation of debris.

**Notes** Retain these instructions for future use. We recommend that you include your greenhouse in your house insurance. Please recycle packaging.

### 2. Base

Ensure base is firm, square and level. A brick or concrete base, fitted with 29 x 18mm timber battens, may be prepared according to the dimensions shown [2a, 2b]. If a prefabricated galvanised steel base is used it should either be fixed using pegs fastened in concrete pockets or drilled and fastened to concrete paving [2c, 2d, 2e, 2f, 2g]. If the wall is not perpendicular suitably shaped battens must also be fitted to ensure a good fit. Finish all timber with a suitable preservative. Take care not to affect the damp proofing of the building to which the greenhouse is attached.

### 3. Door Gable End

Lay out 01717, 12401, 12701, 12702, 12703 and 12704 on the ground and bolt loosely together as shown using bolts 00400 and nuts 00697 [3a, 3c, 3d, 3e]. Secure parts 01764 to 12401, 12701 and 12702 using screws 00402 [3c]. From the outside loosely fit 2 bolts 00400 and nuts 00697 to 12401 and slide 08604 into place [3b]. Fit bolt 00400 and nut 00697 to hole in 08604 [3a].

### 4. Assembly

Slide 2 bolts 00400 into each end of each 01748. Using bolts 00400 and nuts 00697 secure parts 12705 (x2), 12706 (x2), 12717 (x2), and 12718 to 12703 and 12704 [4b, 4d, 4f], and secure 12713 to 12706 and 12702 and 12714 to 12706 and 12701 [4d, 4e]. Slide 2 bolts 00400 into each end of both parts 01748 and using nuts 00697 secure parts 12705, 12706, 12717 and 12718. Tighten all fixings, ensuring that the frame is square.

### 5. Installation

Fit self adhesive draught excluder 00998 to each 01748 [5a]. Lift the building onto the base and using cropped head bolts 00136 and nuts 00697 secure 12722 (x8) in suitable locations to fix to wall [5b]. Ensuring that the building is square and that the diagonal measurements [5c] are equal, mark through the holes in 12722 onto the wall. Fasten the greenhouse to the wall using fixings suitable for your wall (not supplied). Fix the greenhouse to the base with suitable fixings (not supplied) by drilling through 01717, and each 12717 in locations which will not interfere with the glass [5d]. If a pre-fabricated steel base is being used secure instead using 6 off 50391 at the bottom of 12701, 12702, 12703 and 12704 as shown [5e]. Check again the squareness of the building [5c] before tightening wall fixings and retighten fasteners if necessary.

**6. Door**

Push 12224 (x2) into each end of 01727 and assemble door as shown [6a, 6b, 6c]. Fit wheels 00799 (x2) to 08611 [6d] and 08611 to 08610 [6e]. Insert weatherseal 00333-24 into each 01753, and ensuring that it is not stretched, cut to length [6f]. Slide door onto track 08604 ensuring that 12224 fits around 01717 as shown [6g]. Fit 01761 to 12704 using screw 01747, spacer 12223 and nut 00681 [6h] and to 08604 using bolt 00400 and nut 00697. Adjust 08611 so that the door runs smoothly.

**7. Vent**

Fit 12222 to 01748 and 12704 [7a, 7b]. Assemble vent around glazing using screws 12220 and nuts 12221 noting the appropriate assembly method for your glazing [7c, 7d, 7e]. Slide vent onto 12718 [7f] and fit stay pegs 08616 and stay 08617 using screws 00402, fitting end cap 08588 to 08617 as shown [7g, 7h].

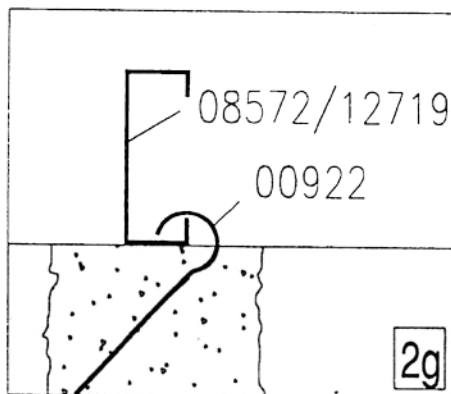
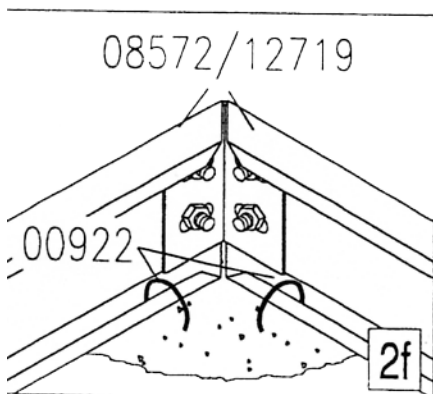
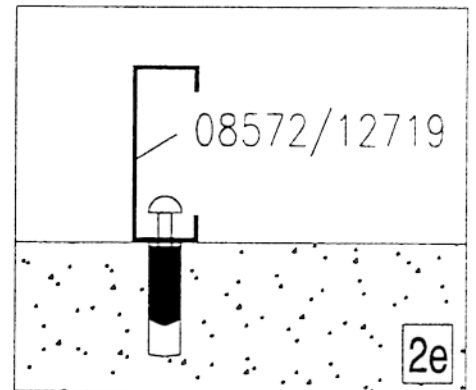
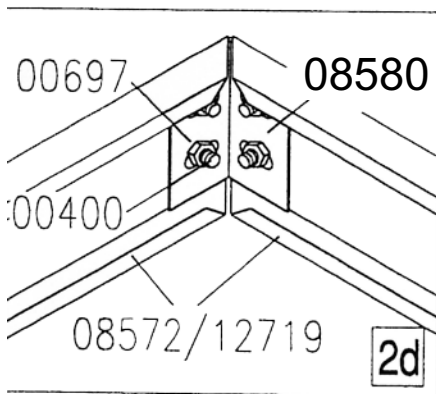
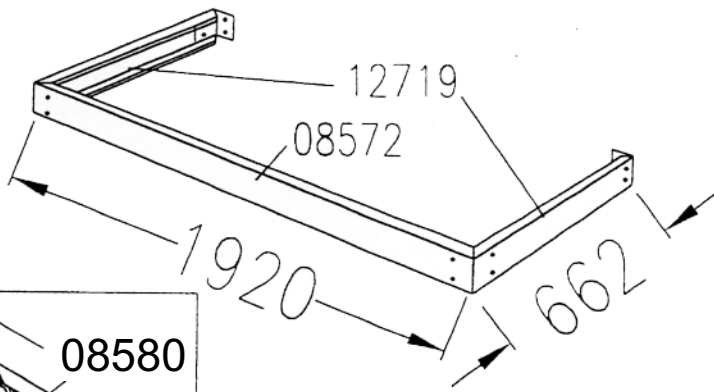
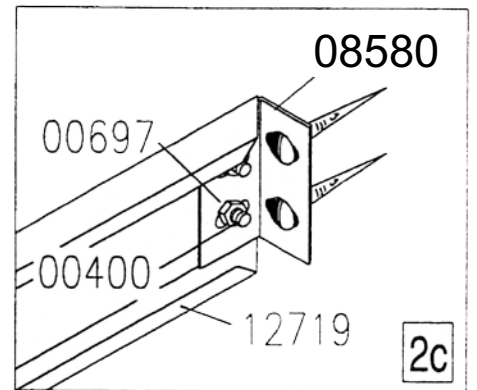
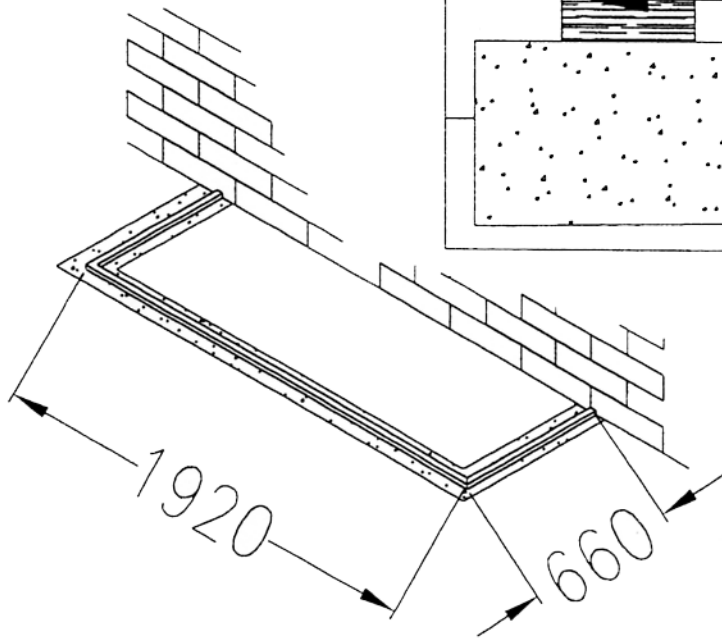
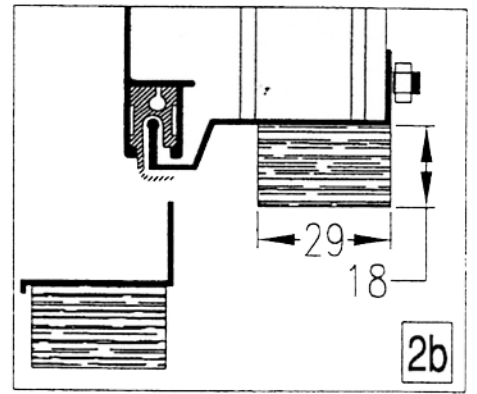
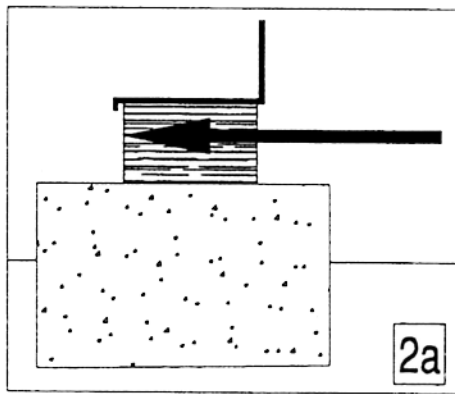
**8. Shelves**

All fixings to the wall should be made using fixings as in 5 above (not supplied), use 00136 bolts and 00697 nuts to secure parts to 01748. All other fixings use 00400 bolts and 00697 nuts. Attach the shelf 01796 to the wall using brackets 01795 [8a, 8b]. This may be left until last to achieve the most suitable location. Assemble parts 12712 to 12706 and secure to wall. Do not tighten fully. Assemble parts 12707, 12708 and 12710 to 12712 and 12713 [8c]. Repeat for the other side using 12709 in place of 12708. Fit parts 12711 between the two supports 12710 [8d]. This assembly holds seed trays 12720. Assemble parts 12706, 12707, 12716 and 12715 [8e]. See [4d] also. Secure 12716 to wall. Do not tighten fully. Repeat on other side and fit 2 grids 12364. Fit grid 12721 between parts 12707 using brackets 12723 [8f]. Fit brackets 12635 to parts 12701, 12702, 12703 and 12704 [8g]. Fit 4 more brackets 12635 to the wall at the same height to support another 2 grids 12721. Tighten all fixings.

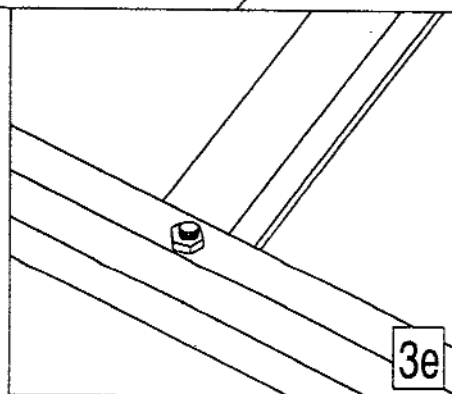
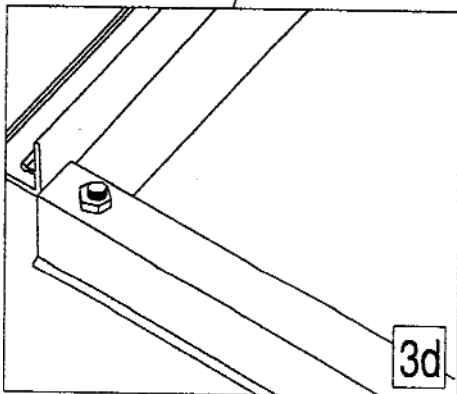
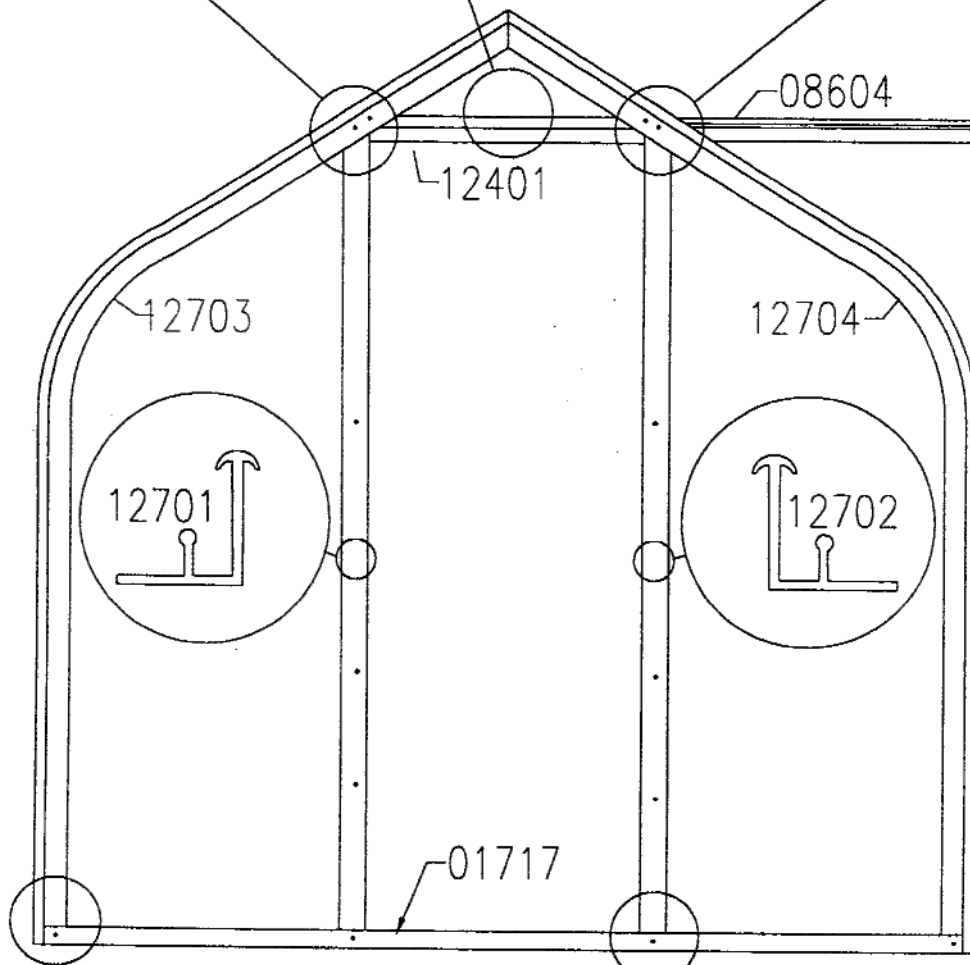
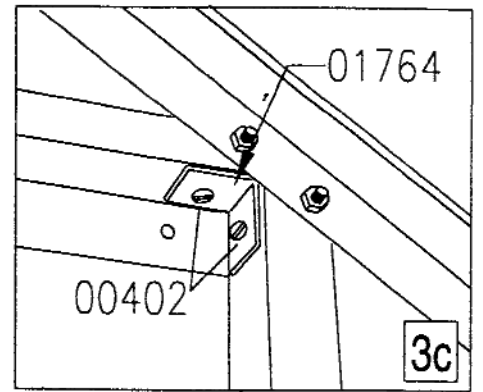
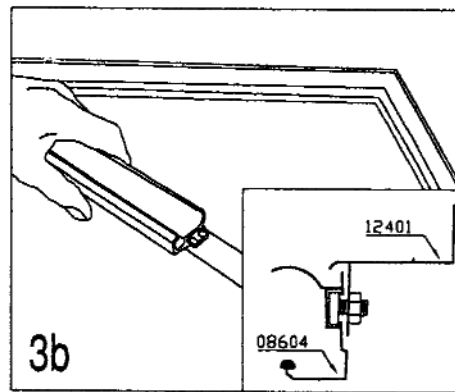
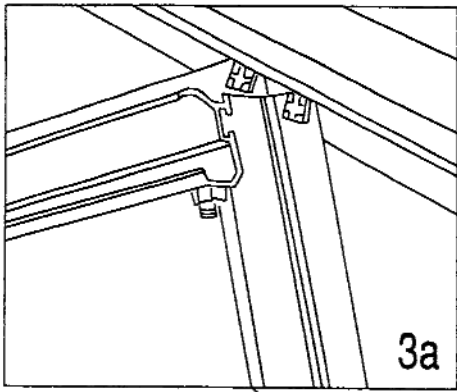
**9 Glazing – Please refer again to safety warning**

Fit glazing strip 00411 [9a]. Glass is secured with spring clips 00453 [9b]. Bendable glazing clips 00135 are used in the roof opposite the vent [9c] and retaining strip 00710 is used to join the acrylic to the glass [9d]. Start glazing from the bottom, centralising each sheet of glass between the glazing bars and securing using the number of clips 00453 shown in the table. Overlap upper sheets outside the lower using retaining clips 00458 except as above. The acrylic panels fit around the curves. Ensure that the glass fits under the ridge [9c] and vent sill [9d]. Fold the bendable clips over the glass [9c]. Finally fit capping 00689 to the front of 12703 and 12704 [9e]. If you wish to fit flashing (not supplied) over the joint between the greenhouse and the wall this may be done now.

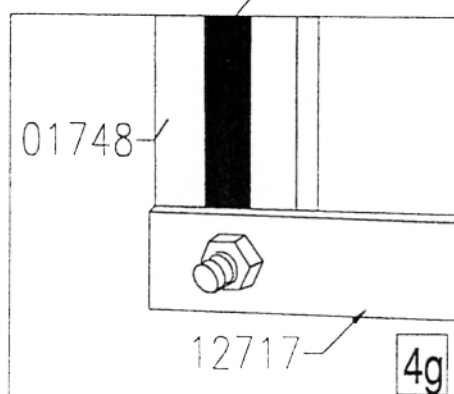
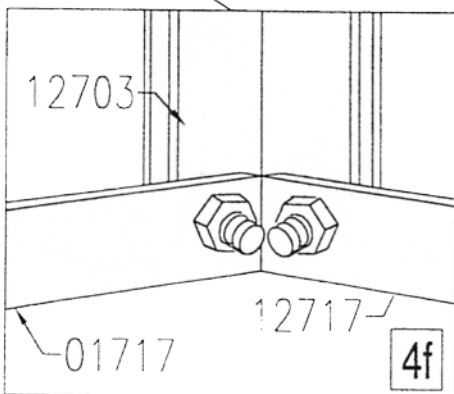
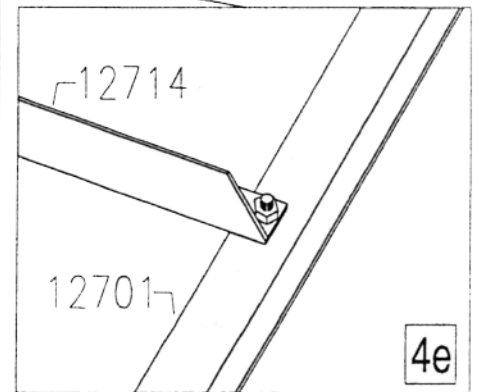
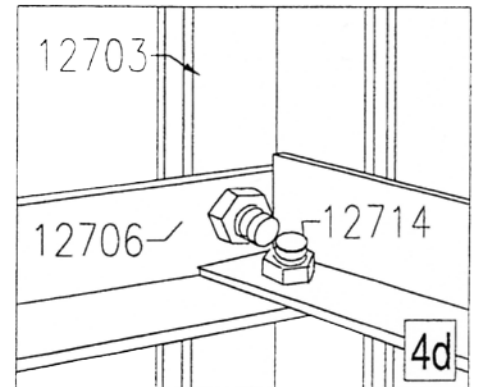
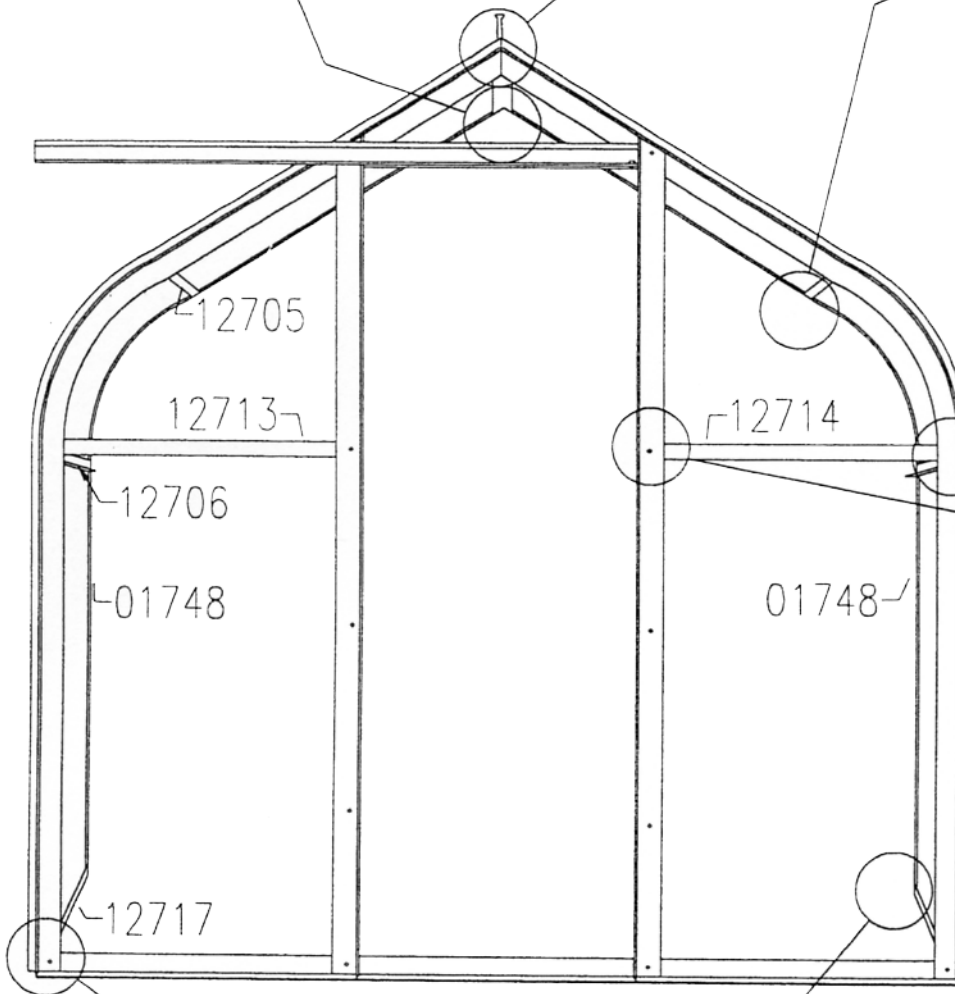
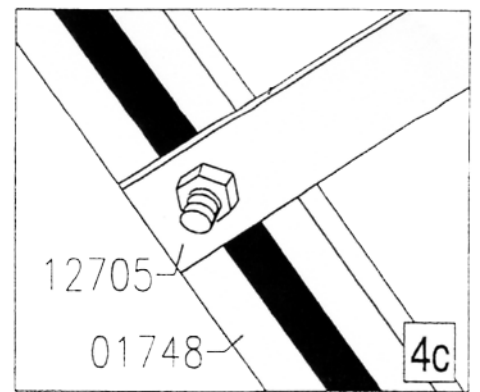
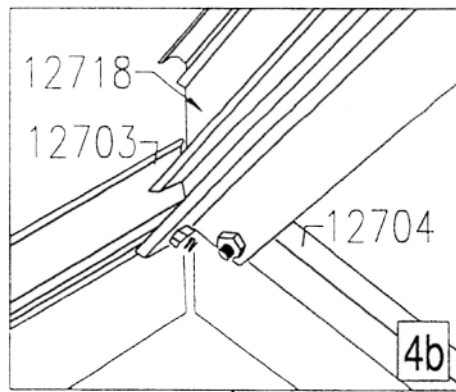
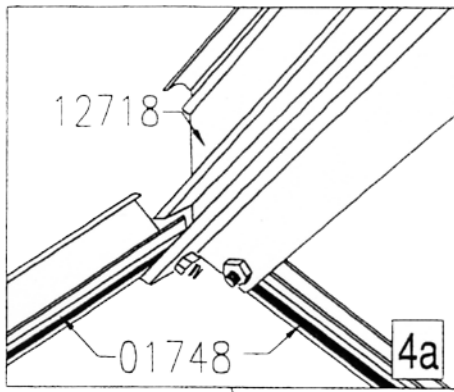




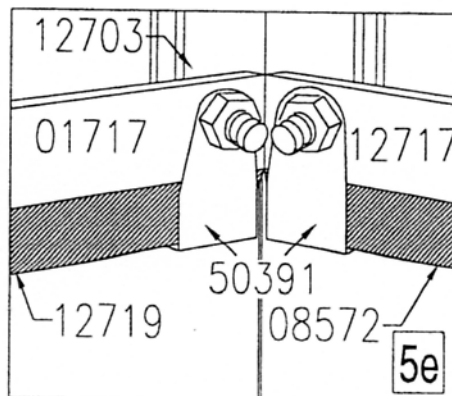
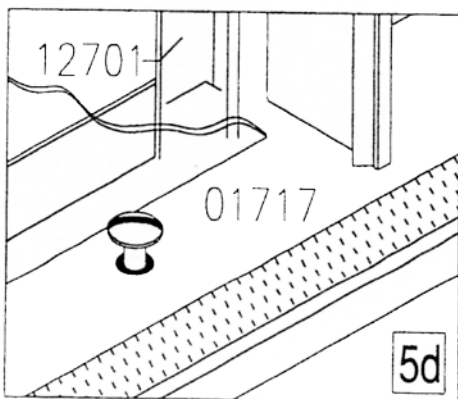
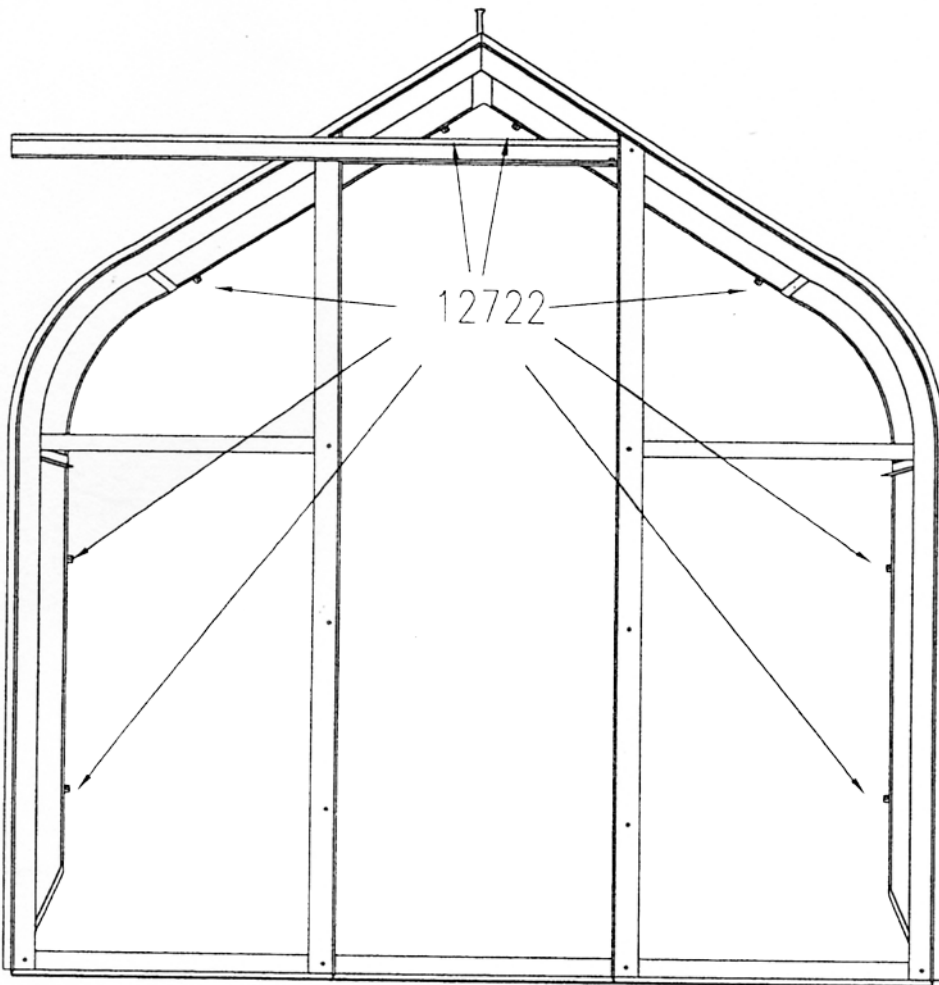
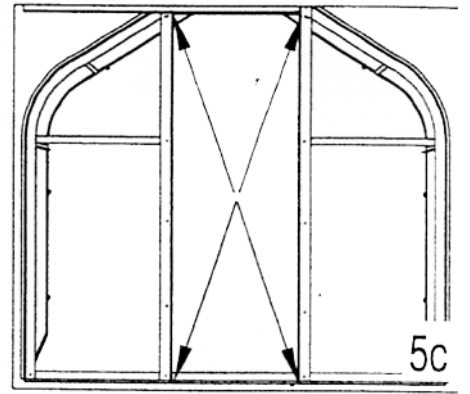
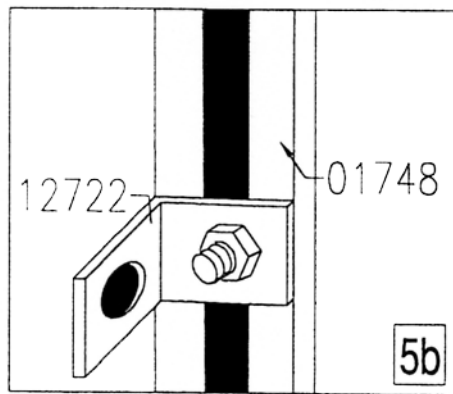
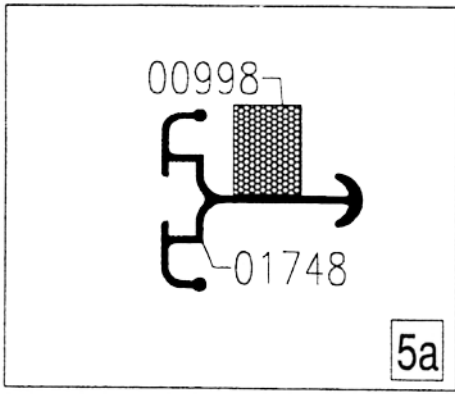
2



3

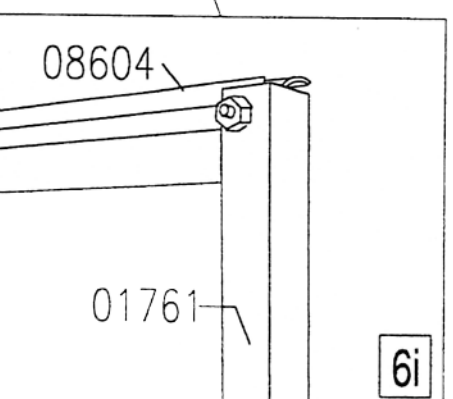
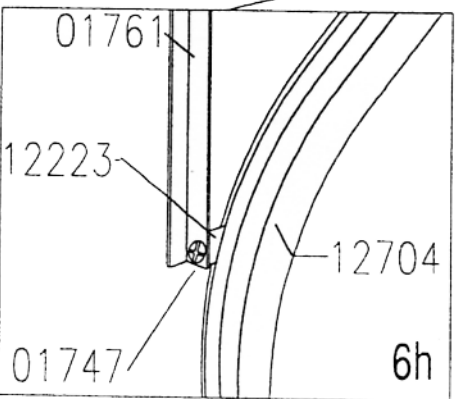
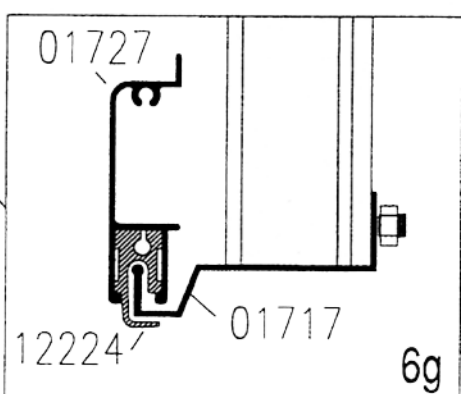
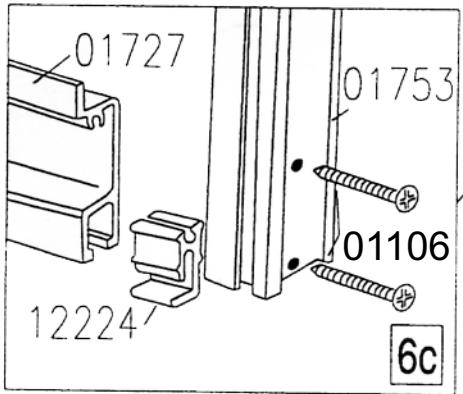
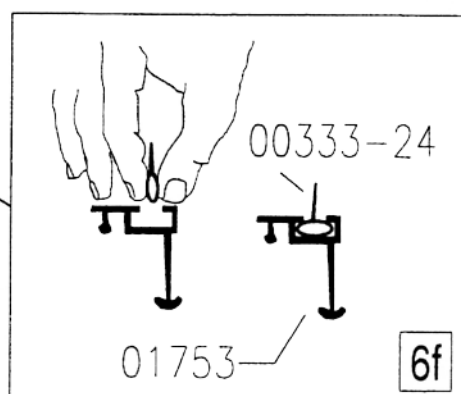
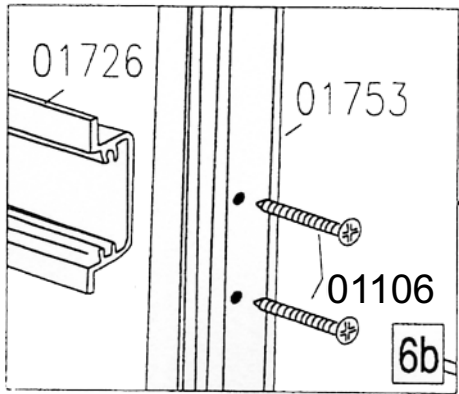
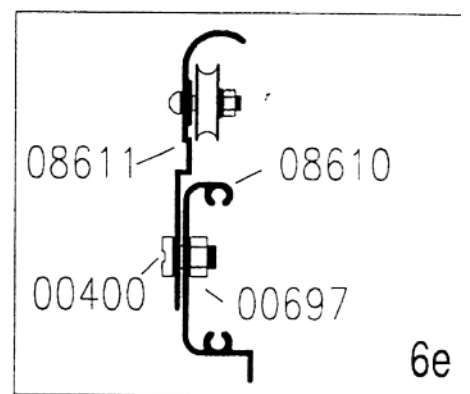
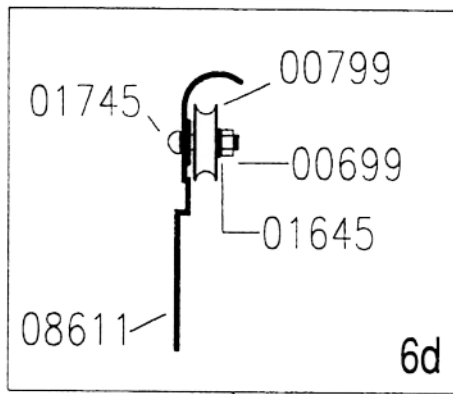
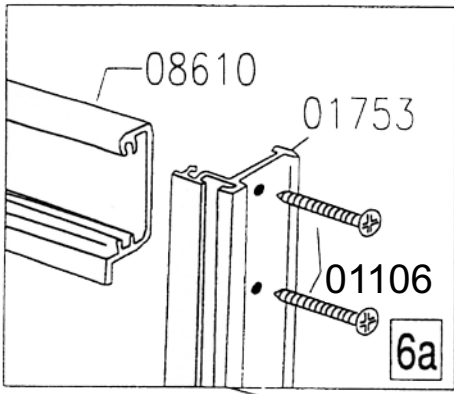


4

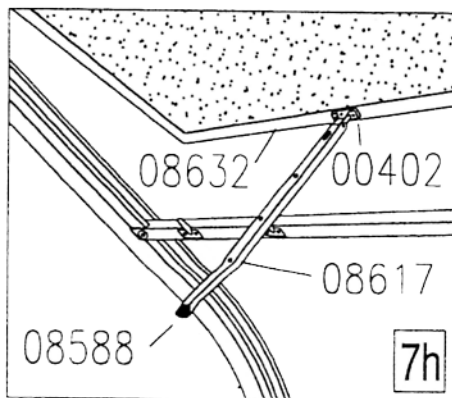
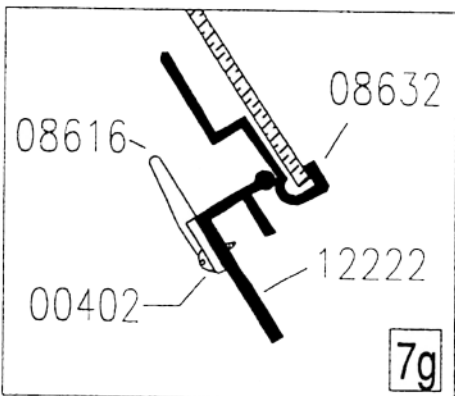
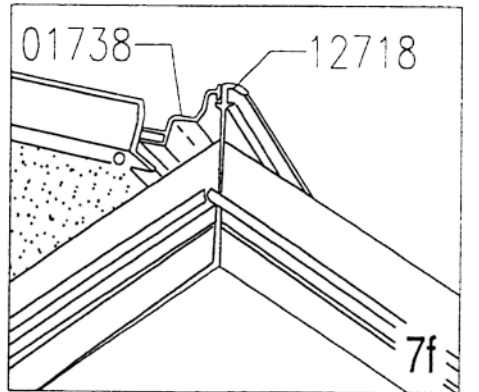
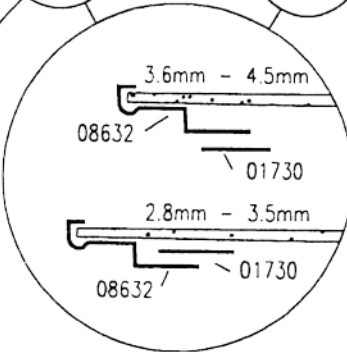
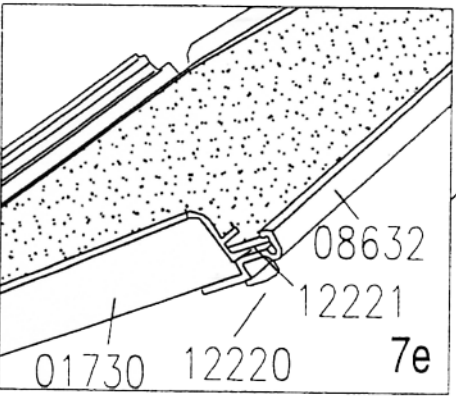
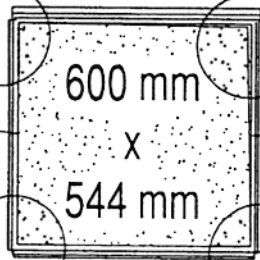
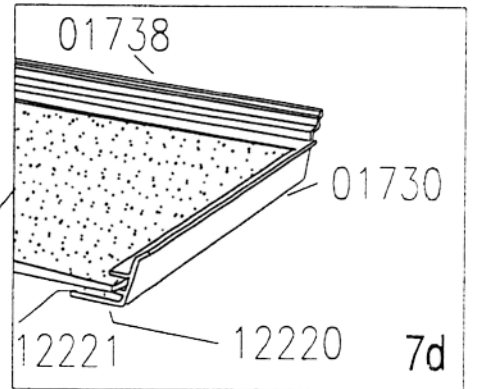
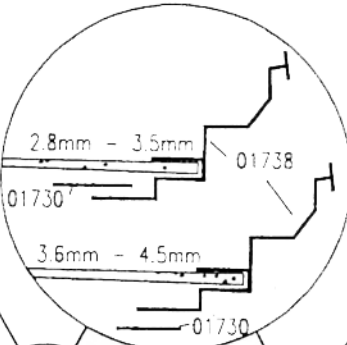
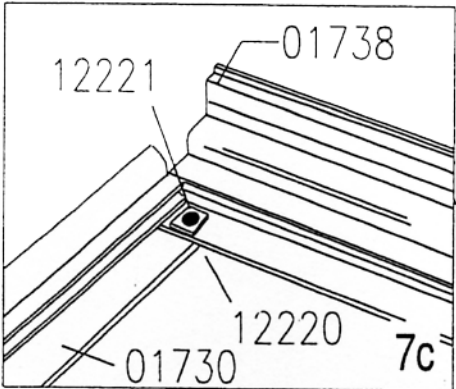
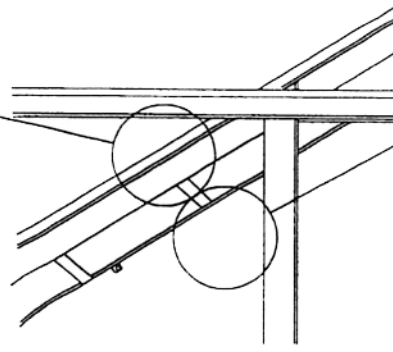
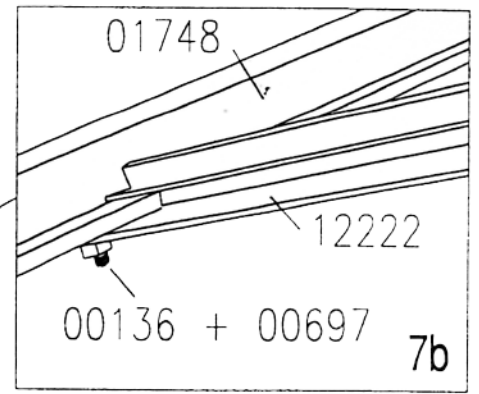
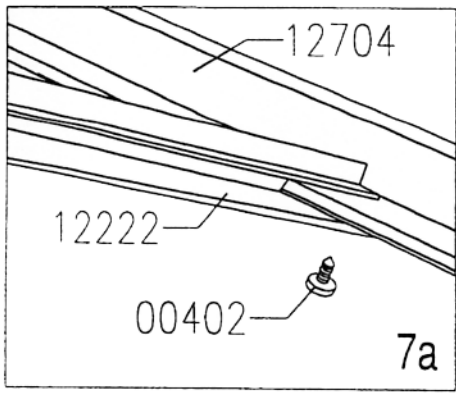


5

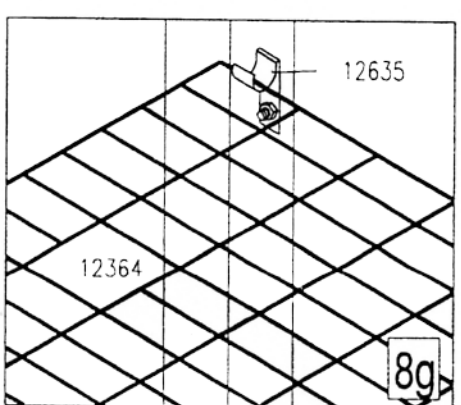
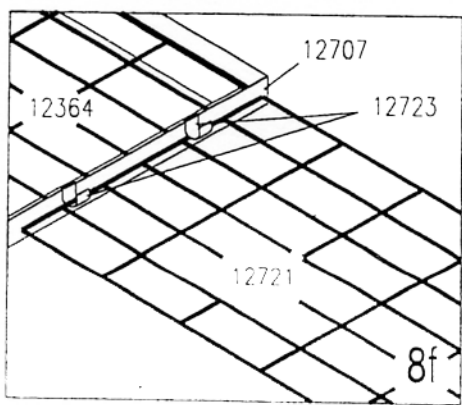
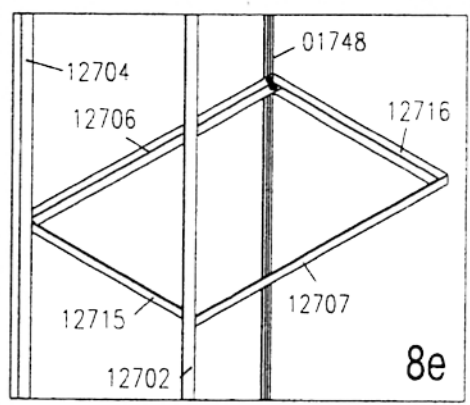
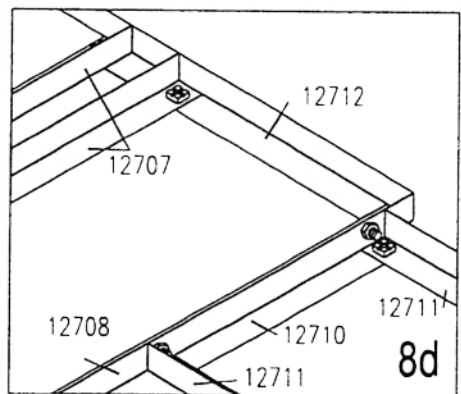
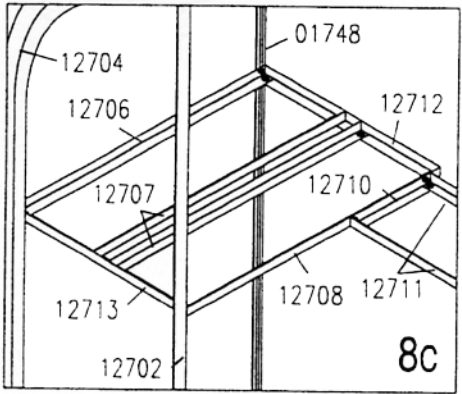
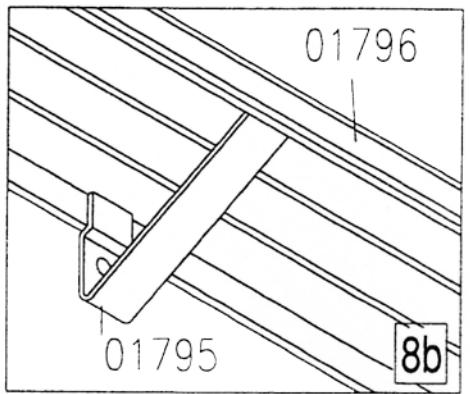
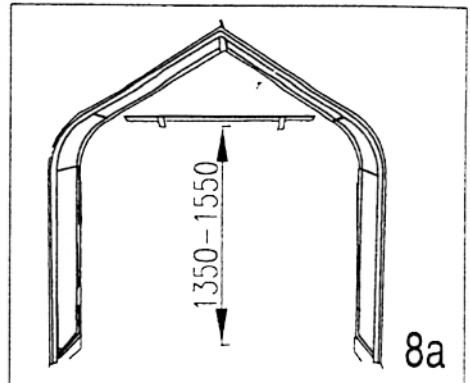
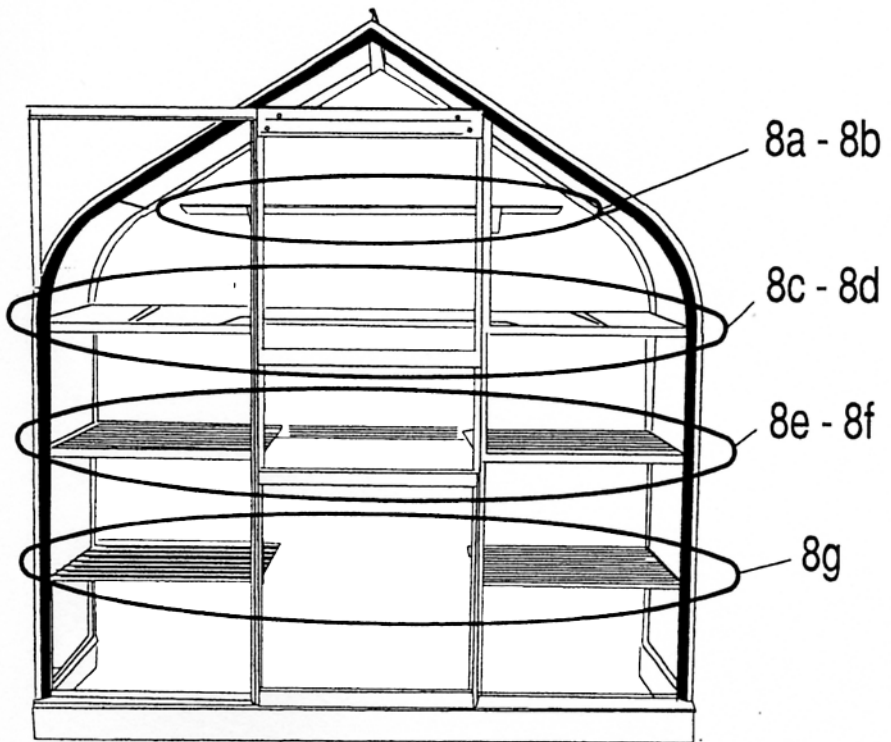




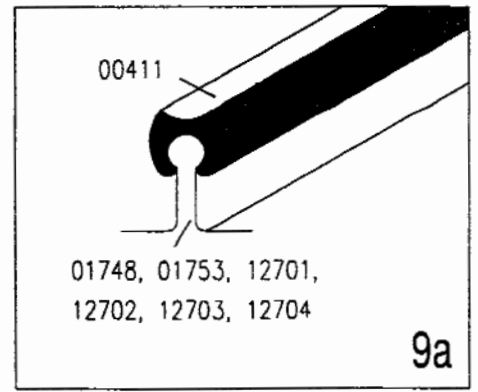
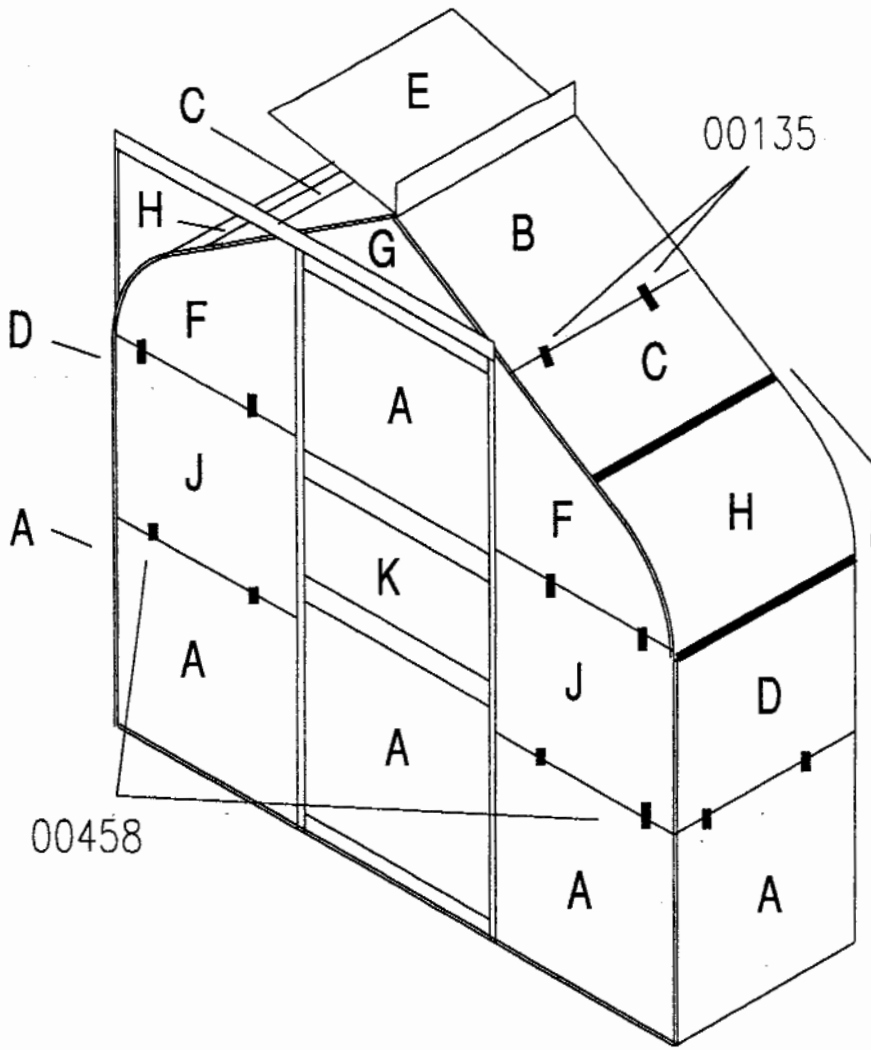
6



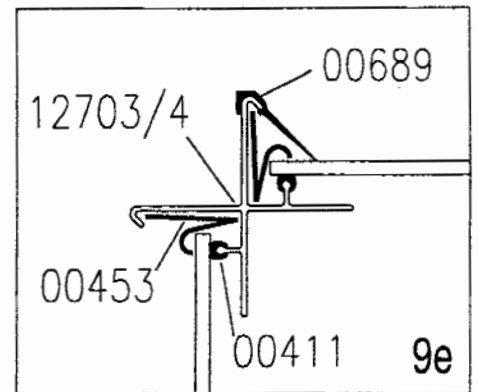
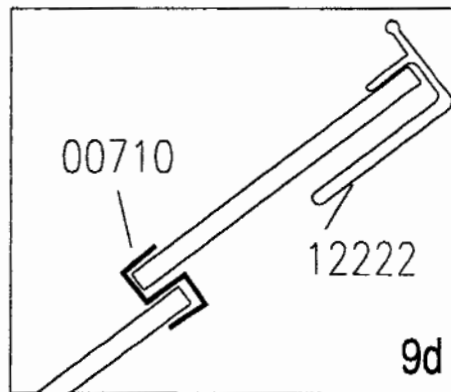
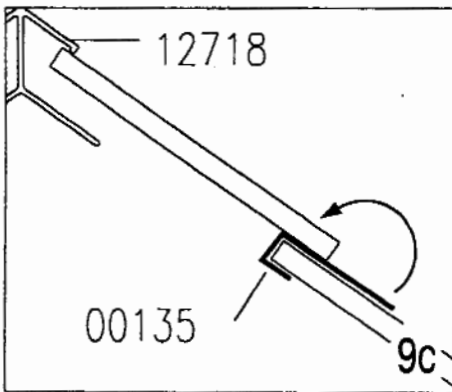
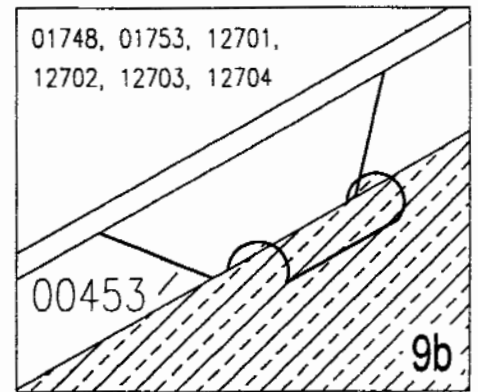
7



8



00710



Code	Dimensions (mm)		Qty Per	00453
A	610 x 610	□	6	4
B	610 x 544	□	1	4
C	610 x 356	□	2	4
D	610 x 508	□	2	4
E	600 x 544	□	1	0
F	610 x 606	▤	2	5
G	610 x 217	△	1	4
H	610 x 440 ACRYLIC	□	2	6
J	610 X 533	□	2	4
K	610 X 300	□	1	4

9

# Customer Advisory Service

The utmost care has been taken in the manufacture of this quality product to ensure that it gives complete satisfaction. To the best of our knowledge the contents were complete when despatched.

If for any reason an error has occurred in respect of shortage or damaged in transit, please complete **Section B**. If you require specific advice on assembling the product please state the nature of your difficulty in **Section C**. Please complete **Section A** in all cases.

**N.B.** We cannot be held responsible for delays incurred in dealing with your problems through third parties. Therefore it is to your advantage to return the completed form to:

**Customer Service Department, P.O. Box 947, Aylesford, Kent ME20 6WH, England.**

**Tel: (01622) 791234 Fax: (01622) 791060**

WE RESERVE THE RIGHT TO DISALLOW CLAIMS FOR SHORTAGES OR DAMAGE UNLESS NOTIFIED TO US ON THIS FORM WITHIN SEVEN DAYS OF DELIVERY OF YOUR PRODUCT.

Our policy is one of continuous improvement and we reserve the right to change specification without prior notice.

---

## PLEASE USE BLOCK CAPITALS THROUGHOUT

### SECTION A (Please complete in all cases)

1. Name.....
2. Address.....  
.....
3. Telephone Number.....
4. Date.....
5. Details of Product Purchased

Type

6. Name and address of outlet from whom purchased  
.....  
.....
7. Date of purchase.....
8. Quality Control Number.....

---

### SECTION B

#### CLAIMS FOR SHORTAGE, DAMAGE etc.

Part Description	Shortage (State Quantity)	Damaged (State Quantity)	Other (Please detail)

---

### SECTION C - ADVISORY SERVICE

Please detail nature of advice required